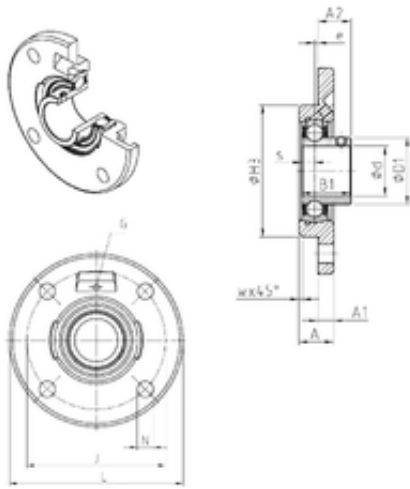




CT?BEARING-SINGAPORE LTD.



SNR USFCE207 bearing units

Bearing No. USFCE207

Bore Diameter	35 mm
d	35 mm
H3	90 mm
e	1 mm
s	8,5 mm
A	21 mm
A1	10 mm
B1	32 mm
D1	48 mm
J	110 mm
L	135 mm
N	11,5 mm
W	2 mm
Thread (G)	M6x1
A2	22,5 mm
Weight	1,2 Kg
Basic dynamic load rating (C)	25,7 kN

USFCE207 Bearing 2D drawings and 3D CAD models