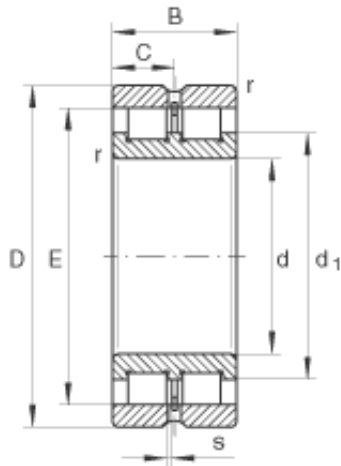




CT?BEARING-SINGAPORE LTD.



180 mm x 225 mm x 45 mm INA SL024836
cylindrical roller bearings

Bearing No. SL024836

SL024836 Bearing 2D drawings and 3D CAD models

Size	180x225x45 mm
Bore Diameter	180 mm
Outer Diameter	225 mm
Width	45 mm
d	180 mm
D	225 mm
B	45 mm
C	22,5 mm
d ₁	199,1 mm
E	214,1 mm
r _{min}	1,1 mm
s	3 mm / Axial displacement
	NNCL4836V / Designation to DIN 5412
m	4,15 kg / Weight
C _r	270000 N / Dynamic load rating (radial)
C _{0r}	640000 N / Static load rating (radial)
C _{ur}	72000 N / Fatigue limit load, radial
n _G	1560 1/min / Limiting speed
Category	Bearings
Inventory	0.0
Manufacturer Name	SCHAEFFLER GROUP
Minimum Buy Quantity	N/A



CT?BEARING-SINGAPORE LTD.

Weight / Kilogram	4.15
Product Group	B04144