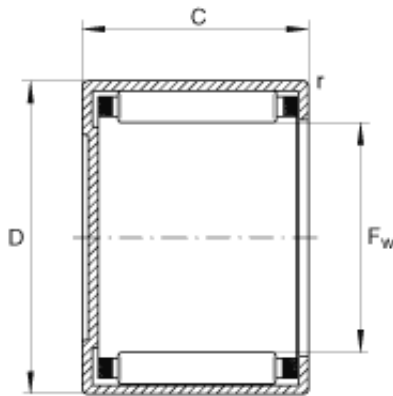




CT?BEARING-SINGAPORE LTD.



INA BCE610 needle roller bearings

Bearing No. BCE610

Size	9.525x14.288x15.875 mm
Bore Diameter	9,525 mm
Outer Diameter	14,288 mm
Width	15,875 mm
F_w	3/8 inch
F_w	9,525 mm
D	0,563 inch
D	14,288 mm
C	0,625 inch
C	15,875 mm
m	0,015 lbs / Weight
m	7 g / Weight
C_r	1660 lbf / Dynamic load rating (radial)
C_r	7400 N / Dynamic load rating (radial)
C_{Or}	2040 lbf / Static load rating (radial)
C_{Or}	9100 N / Static load rating (radial)
n_G	25000 1/min / Limiting speed
n_B	17100 1/min / Reference speed
Category	Bearings
Inventory	0.0
Manufacturer Name	SCHAEFFLER GROUP
Minimum Buy Quantity	N/A

BCE610 Bearing 2D drawings and 3D CAD models



CT?BEARING-SINGAPORE LTD.

Weight / Kilogram	0.009
Product Group	B04144