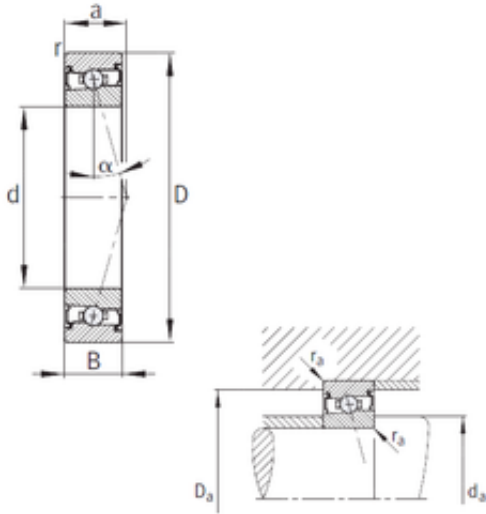




CT?BEARING-SINGAPORE LTD.



40 mm x 68 mm x 15 mm FAG HCS7008-C-T-P4S angular contact ball bearings

Bearing No. HCS7008-C-T-P4S

Size	40x68x15 mm
Bore Diameter	40 mm
Outer Diameter	68 mm
Width	15 mm
d	40 mm
D	68 mm
B	15 mm
C	15 mm
Angle (°)	15 °
a	15 mm
r min.	1 mm
Da	62 mm
ra max.	1 mm
da	46 mm
Weight	0,211 Kg
Basic dynamic load rating (C)	6,8 kN
Basic static load rating (C0)	6,5 kN
(Grease) Lubrication Speed	30 000 r/min

HCS7008-C-T-P4S Bearing 2D drawings and 3D CAD models